

HERMES

CAPPING MACHINE



HERMES

HERMES



HERMES

CAPPING MACHINE

Capping machines are produced in linear or rotary versions for closing plastic, metallic and glass bottles by different kind of caps (screw-on, press-on, twist-of, cork, alcork, pill-proof etc.)

The machine can be equipped with different types of cap unscrambler (vibrating, rotary, belt type) depending on the type and size of the cap. For feeding the caps into the cap unscrambler the caps hopper is available as an optional device.

For placing difficult caps onto the container neck the „Pick and Place“ system can be used.

The machine can be equipped with different controls, e.g. cap (under-cap) presence control, which can be connected to a mechanism of no cap (under-cap) bottles rejection.

Function of the machine:

The containers are transferred by a conveyor to the star wheel. The star wheel (indexing type for 1 head capper or continuous motion for more heads capper) takes the containers and carries them to the caps placing station and then to the closing head. The closing head tightens the cap at the necessary torque (if the head is of the pressure type, it will press the cap on the bottle neck by means of a spring unit). The torque can be set on the closing head by means of magnetic clutch. After the closing is completed the star wheel moves the container to the conveyor.

Linear version of machi is assembled by transfer belt device (instead of starwheel) which carries the can or bottle under the closing head. This solution is used only for 1 head cappers and is suitable for simple bottles or cans.

Technical data:

Output: up to 2000 pieces/hour (Hermes BC)

2800 pieces/hour (Hermes 1M)

5000 pieces/hour (Hermes 3M)

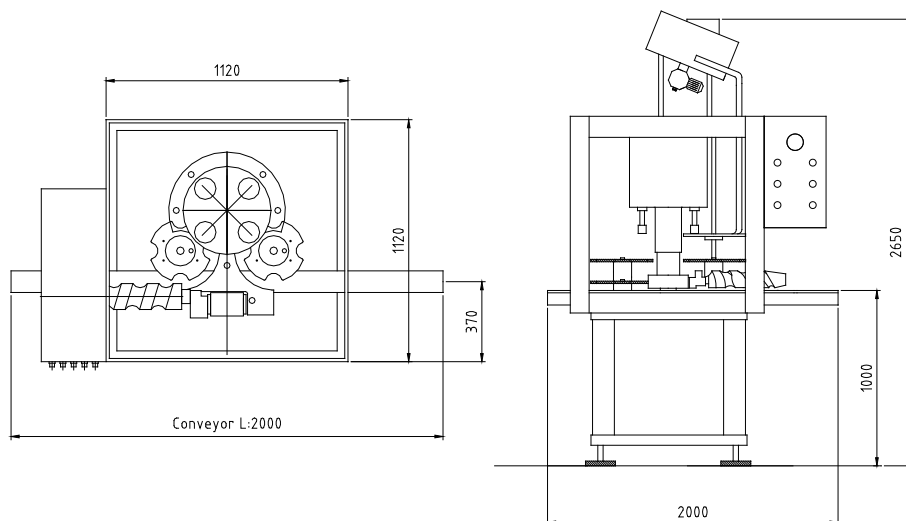
8000 pieces/hour (Hermes 6M)

Power supply: 400 V, 50/60 Hz

Power input: 1-4 kVA

Pressure air: 6 atm, 200 – 800 NI/min.

(depending on the model)



Imaco Group, s.r.o.
Luční čtvrť 1867, 686 03 Staré Město
CZECH REPUBLIC
tel.: + 420 572 542 934-5
fax: + 420 572 542 936
email: info@imaco.cz • www.imaco.cz