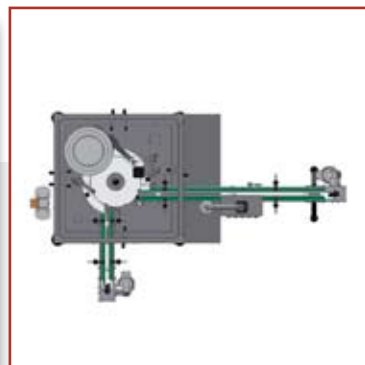
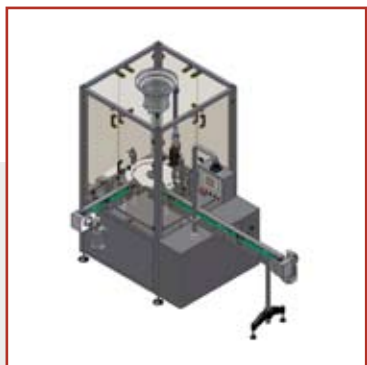


OMEGA

FILLING AND CLOSING MONOBLOC FOR SMALL VOLUMES



OMEGA



OMEGA



OMEGA SEMI-AUTOMATIC TUBE FILLING AND CLOSING MACHINE

Omega filling and closing unit is intended for filling of liquid products into the small-sized bottles up to diameter 50mm and their closing by screw caps.

Bottles are brought by a conveyor and machine functions are fully automatic. The unit is fitted by one or two peristaltic pump or external filling unit and is assembled by a single head capping system controlled by servo drive. Dose can be adjusted continuously using the parameters set on the touch-screen.

The unit is intended to use mainly in cosmetic, pharmaceutical and chemical processing and is also suitable for purposes of sample and laboratory production.

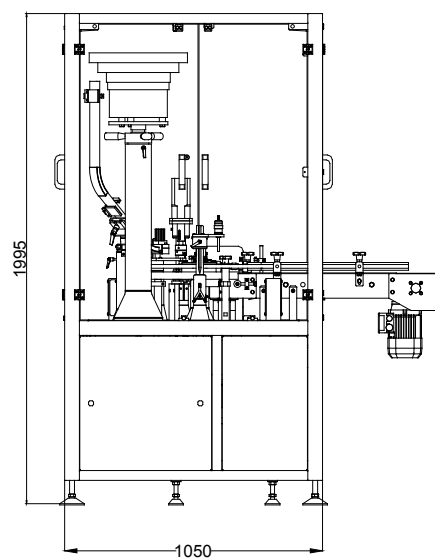
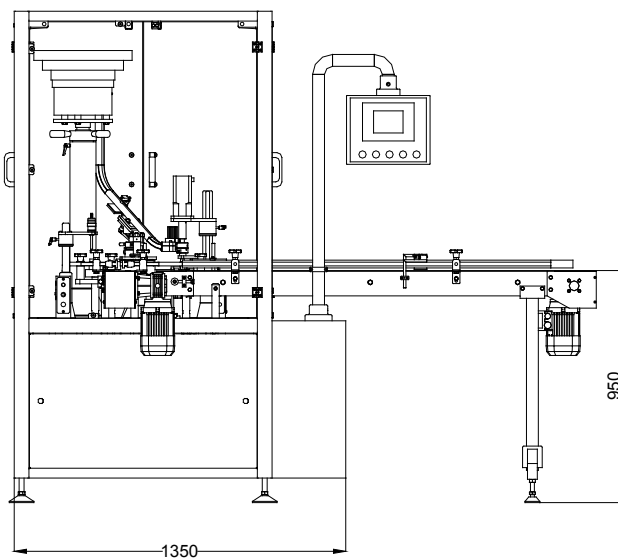
Technical data:

Output: up to 1 500 pcs/h (Omega 1)
up to 2 000 pcs/h (Omega 2)

Number of filling nozzles: 1 (Omega 1)
2 (Spectrum 2)

Filling range: 1ml – 250ml

Power supply: 380 - 440 V, 50/60 Hz, 2 kW



Imaco Group, s.r.o.
Luční čtvrť 1867, 686 03 Staré Město
CZECH REPUBLIC
tel.: + 420 572 542 934-5
fax: + 420 572 542 936
email: info@imaco.cz • www.imaco.cz