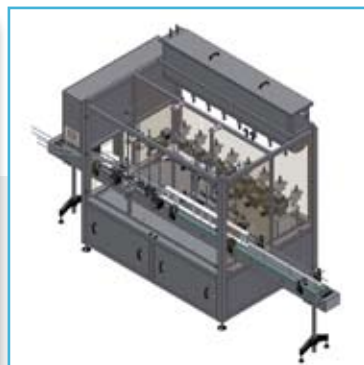
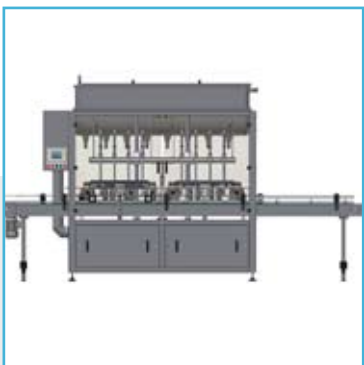




POLARIS GP

FILLING MACHINE WITH GEAR PUMPS



POLARIS GP

POLARIS GP



POLARIS GP FILLING MACHINE WITH GEAR PUMPS

The Polaris GP linear filling machine is designed to automatically fill bottles and jars with liquid food, cosmetic and chemical products.

The dose is provided by gear pumps controlled by a touch-screen display. This combination allows to use many dosing functions which can be adjusted by the operator (preselection of volume, filling speed, filling mode, reverse mode, slow down filling etc. for each filled product).

Machine is equipped by pneumatically closing filling nozzles and by system which allows filling bottles from its bottom.

The main advantage of this machine is that it is very easy and fast for cleaning and so it can be ready for filling of another product very quickly. Gear pump is easy dismantled and cleaned.

Another main advantage is that machine allows filling from small volumes to bigger without any need to use any format or change parts.

Technical data:

Output: 1 900 pieces/hour (Polaris 4GP)
3 500 pieces/hour (Polaris 8GP)

Power supply: 380-440 V, 50/60 Hz

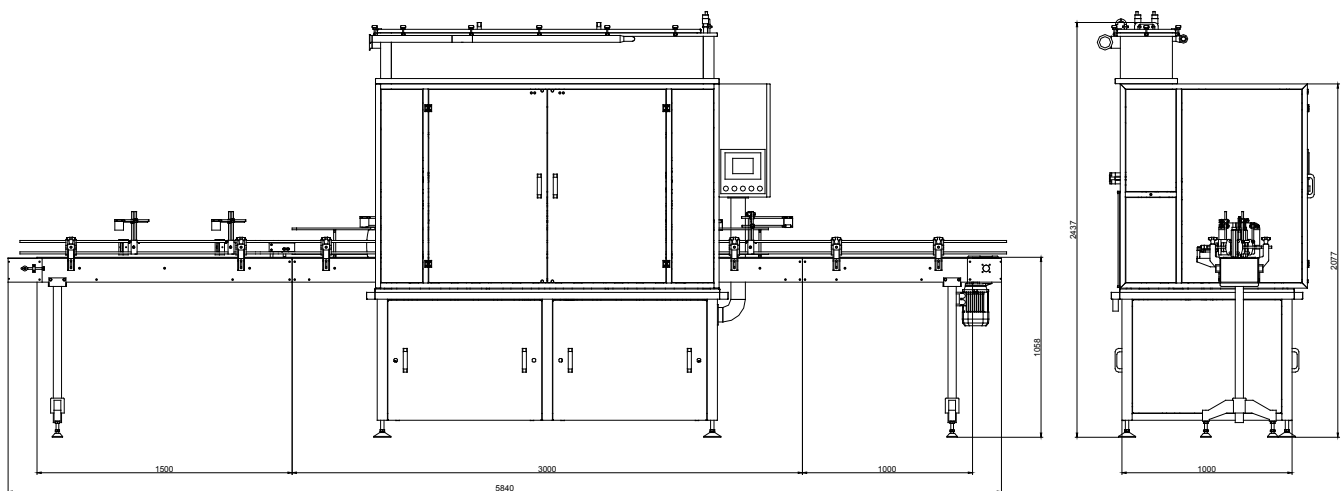
Power input: 7-13 kVA

Pressure air: 7 bar

Air consumption: 100-250 NI/min

Filling range: from 50ml to 25l (optionally more)

Control system: Allen Bradley, Siemens Simatic



Imaco Group, s.r.o.
Luční čtvrť 1867, 686 03 Staré Město
CZECH REPUBLIC
tel.: + 420 572 542 934-5
fax: + 420 572 542 936
email: info@imaco.cz • www.imaco.cz