



POLARIS P

PNEUMATIC LINEAR FILLING MACHINE



POLARIS P

POLARIS P



POLARIS P PNEUMATIC LINEAR FILLING MACHINE

The pneumatic linear filling machine POLARIS P is to be used for automatic filling of liquid products (oil, spirits, syrup, shampoo and other not saturated liquids) into various containers, especially of greater volumes (up to 20 l).

The dosed liquid is measured out by volume with pneumatically driven filling cylinders. It is possible to deliver the machine with the 2, 4, 6, 9 or 12 filling cylinders depending on the required output.

It is possible to adjust the dose continuously and centrally by hand wheel or by the motorized volume adjustment unit using a touch-screen display. It is possible to deliver the machine with different measuring cylinders of various volumes depending on the filled dose. To fill greater volumes a multiple dose can be set. It is possible to adapt the machine for explosion-risk environments or for filling of aggressive products.

Technical data:

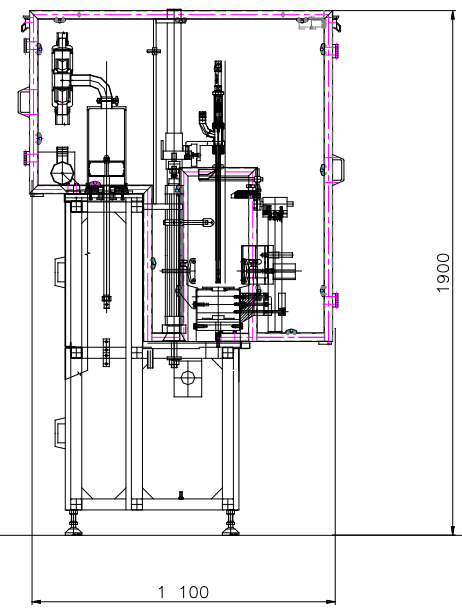
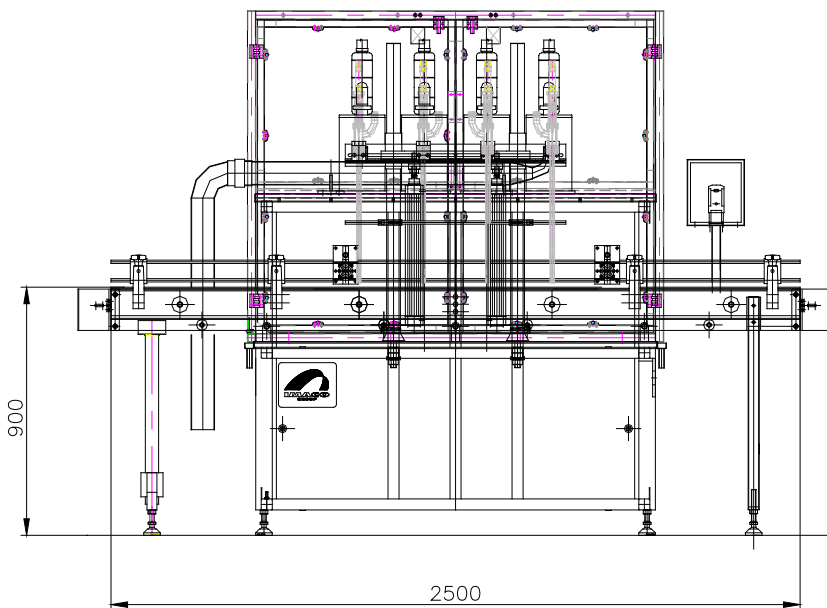
Output: 1 300 pieces/hour (2 cylinders)
1 900 pieces/hour (4 cylinders)
2 850 pieces/hour (6 cylinders)
3 500 pieces/hour (9 cylinders)
4 500 pieces/hour (12 cylinders)
(with a dose of 1000 ml)

Power supply: 200 – 240 V, 50/60 Hz

Power input: 1-3 kVA

Pressure air: 6 bar, 400 – 1000 NI/min. (depending on the model)

Control system: Allen Bradley or Siemens Simatic



Imaco Group, s.r.o.
Luční čtvrť 1867, 686 03 Staré Město
CZECH REPUBLIC
tel.: + 420 572 542 934-5
fax: + 420 572 542 936
email: info@imaco.cz • www.imaco.cz