



SPECTRUM

FILLING AND CLOSING MONOBLOC



SPECTRUM

SPECTRUM

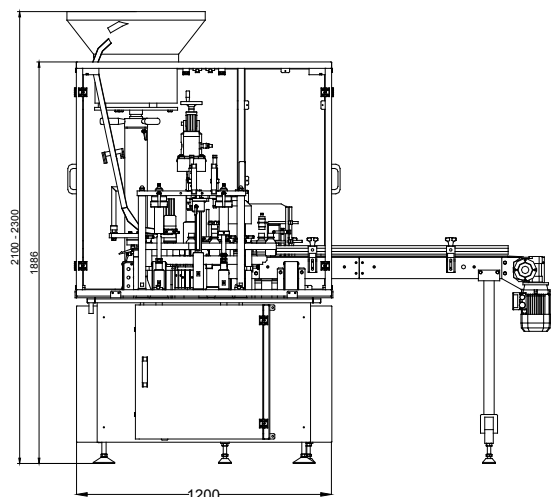
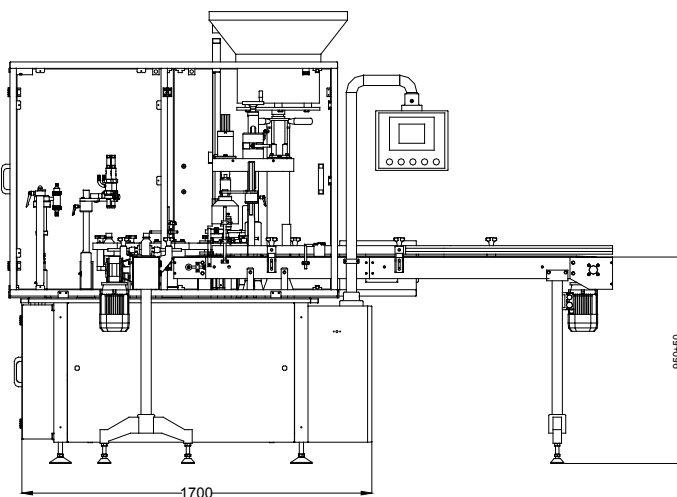


SPECTRUM FILLING AND CLOSING MONOBLOC

Spectrum filling and closing unit is intended for filling of liquid products into various containers, especially small-sized ones, and their closing by screw or push-on caps. The containers are brought by a conveyor and machine functions are fully automatic. The unit is fitted with two or four filling pumps available in various volumes and a single head capping system. Dose can be adjusted continuously. A peristaltic pump can be used for application in pharmaceutical and cosmetic industries or dosing by a gear pump may be chosen. Another closing unit applying undercap or labelling system can be involved into accessories. The unit is intended for use in cosmetic, pharmaceutical and chemical industrial branches and foodstuff processing.

Technical data:

Output: 1 500 – 1800 pcs/h (Spectrum 2)
2 500 – 2 800 pcs/h (Spectrum 4)
Number of filling nozzles: 2 (Spectrum 2)
4 (Spectrum 4)
Filling cylinders: 10, 20, 50, 100 and 500 ml
Power supply: 380 - 440 V, 50/60 Hz, 3 kVA



Imaco Group, s.r.o.
Luční čtvrť 1867, 686 03 Staré Město
CZECH REPUBLIC
tel.: + 420 572 542 934-5
fax: + 420 572 542 936
email: info@imaco.cz • www.imaco.cz